

## Tecturis S

### Single lever bidet mixer with pop-up waste set

Finish: **Matt White** Article Number: **73201700**



#### Description

##### product features

- consists of: single lever bidet mixer, waste set
- projection: 148 mm
- spout height: 100 mm
- spray type: laminar spray
- maximum flow rate at 3 bar: 5 l/min
- ceramic cartridge
- temperature limitation adjustable
- suitable for continuous flow water heaters
- pop-up waste set G 1¼
- material waste set: metal
- connection type: G ¾ hose connections
- connection dimension: DN15
- EU taxonomy: max. 6 l/min - Substantial Contribution (SC) possible

#### Technology



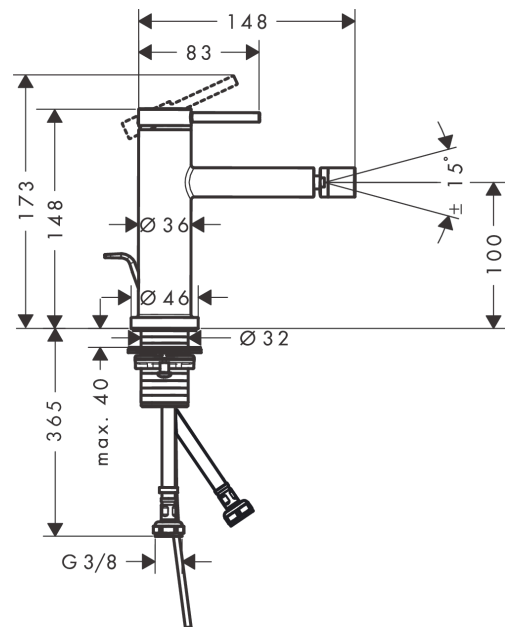
#### Design awards



#### Product image



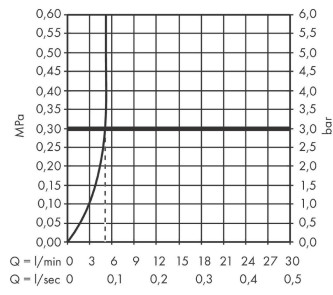
#### Scale drawing



**Tecturis S**  
**Single lever bidet mixer with pop-up waste set**  
 Finish: **Matt White** Article Number: **73201700**



**Flowchart**

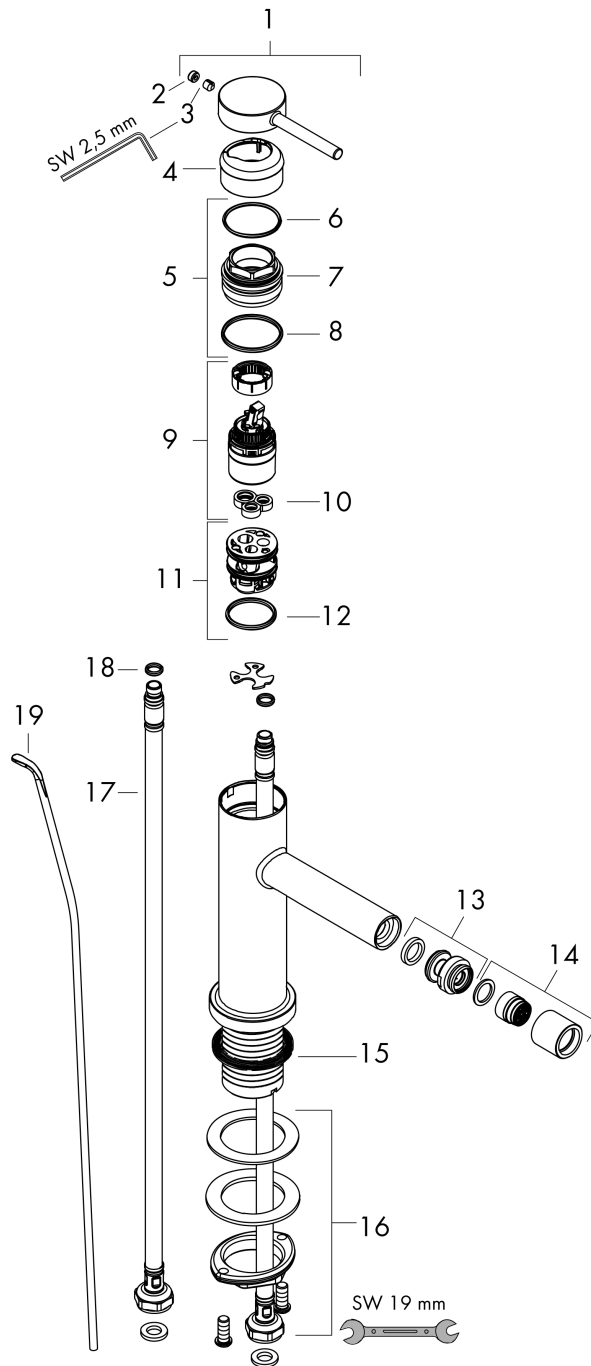


**Tecturis S**  
**Single lever bidet mixer with pop-up waste set**  
 Finish: **Matt White** Article Number: **73201700**



**Exploded Drawing**

Year of production: >06/23



## Tecturis S

Single lever bidet mixer with pop-up waste set

Finish: **Matt White** Article Number: **73201700**



### Spare part list

Year of production: >06/23

Pos.	Description	Article Number	PC	PU
1	handle	94985700	60	1
2	screw cover	93735700	3	1
3	hollow set screw M5x5	98446000	1	1
4	escutcheon	94987700	56	1
5	nut	94989000	3	1
6	O-ring 28x1,5	98421000	1	1
7	O-ring 25x1,5	98146000	2	1
8	O-ring 29x2	98391000	1	1
9	cartridge, assy	93760000	13	1
10	seal	93383000	4	1
11	adapter for cartridge	95975000	3	1
12	O-ring 23x2	98398000	1	1
13	ball joint	97362700	59	1
14	aerator laminar M16x1 (7 l/min)	97360700	59	1
15	flat seal	98749000	2	1
16	fixing set (Ø 32)	13961000	7	1
17	connection hose 600 mm M8x0,75 G3/8	96556000	7	1
18	O-ring 6,6x1,6	93019000	1	1
19	pull rod	96657700	54	1
a	pop up waste	94139700	64	1