

iBox universal 2

Basic set

Finish: Article Number: **01500180**



Description

product features

- suitable for all new shower, bath tub and thermostat finish sets for concealed installation (ShowerSelect Comfort, DuoTurn)
- in conjunction with adapter plate (# 13588000) compatible with other concealed shower, bath tub and thermostat finish sets
- material: dezincification brass, EPP foam, heat and sound insulating
- connection thread: Rp 1/2
- connection dimension: DN15
- rotationally-symmetric installation
- sound-decoupled installation
- flexible mounting ring for different mounting situations
- mounting ring adjustable in 5 mm steps
- mounting ring suitable for front and rear installation
- no shortening necessary thanks to sliding sleeve
- support aid for the spirit level
- integrated spirit level for correct horizontal and vertical alignment
- sealing foil permanently fixed
- power supply: M16 flexible conduit
- minimum mounting depth: 80 mm
- maximum mounting depth: 108 mm

Technology



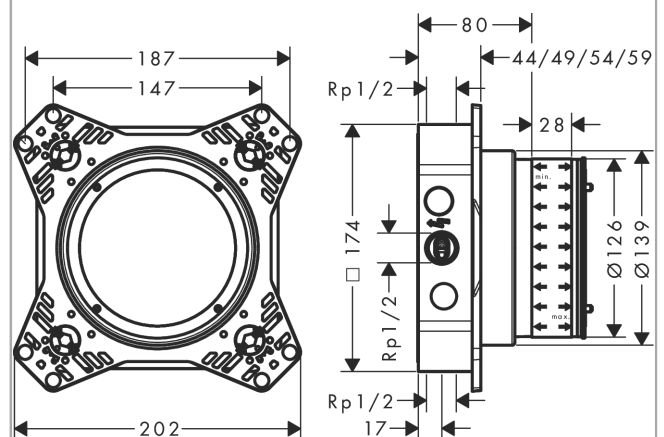
Design awards



Product image



Scale drawing



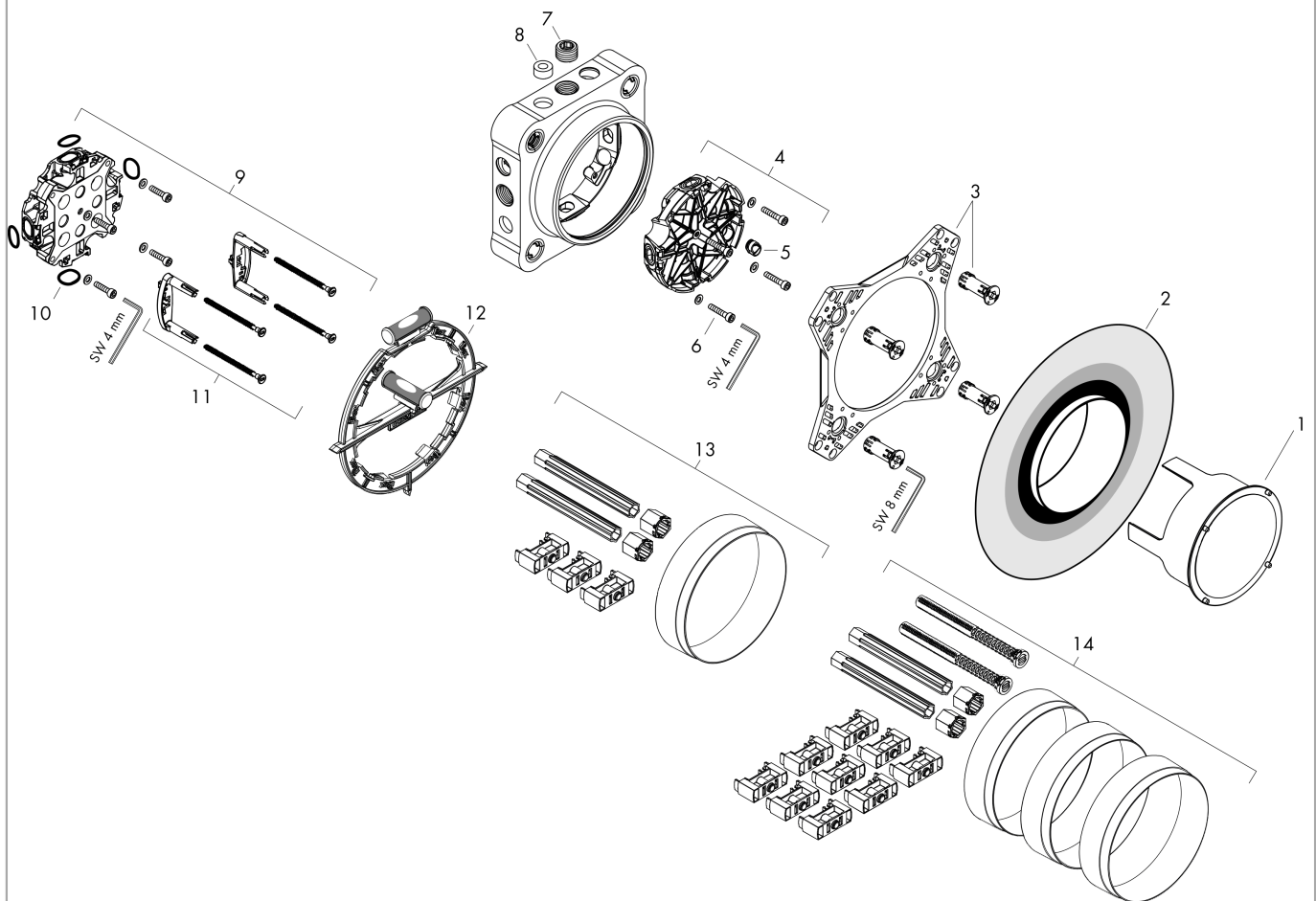
iBox universal 2
Basic set

Finish: Article Number: **01500180**



Exploded Drawing

Year of production: >01/23



iBox universal 2

Basic set

Finish: Article Number: **01500180**



Spare part list

Year of production: >01/23

Pos.	Description	Article Number	PC	PU
1	sealing foil	94897000	10	1
2	sealing foil	94897000	10	1
3	displacing ring	94899000	4	1
4	flushing unit complete	94898000	6	1
5	plug	94894000	1	1
6	set of screws	96525000	3	1
7	plug	97998000	3	1
8	Bullseye bubble level	94896000	1	1
9	set of adapters	13588000	98	1
10	sealing set	87872000	1	1
11	support cpl.	87690000	8	1
12	fit-up aid	93500000	98	1
13	extension 25 mm	13638000	98	1
14	extension 25 - 75 mm	13632000	98	1