

**Raindance E**  
**Overhead shower 300 1jet with ceiling connector**  
 Finish: **Chrome** Article Number: **26250000**



### Description

#### product features

- consists of: overhead shower, ceiling connector
- shower head size: 300 x 300 mm
- spray type: RainAir
- flow rate RainAir spray at 3 bar: 17 l/min
- function from: 12,3 l/min
- maximum flow rate at 3 bar: 17 l/min
- minimum flow pressure: 1,4 bar
- overhead shower angle adjustable
- material spray disc: metal
- spray disc removable for cleaning
- metal ceiling connector
- ceiling connection length: 158 mm
- installation: ceiling mounting
- connection thread: G 1/2
- connection dimension: DN15
- suitable for continuous flow water heaters

### Technology



### Design awards



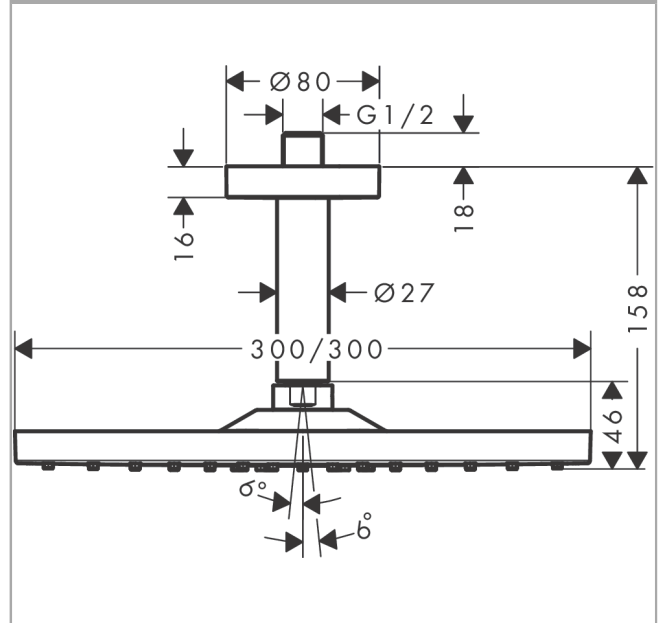
### Certificates / Sustainability



### Product image



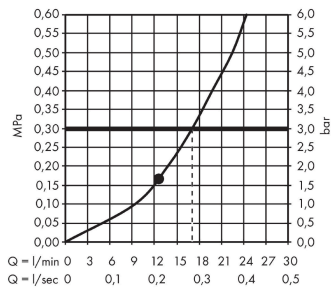
### Scale drawing



**Raindance E**  
**Overhead shower 300 1jet with ceiling connector**  
 Finish: **Chrome** Article Number: **26250000**



**Flowchart**



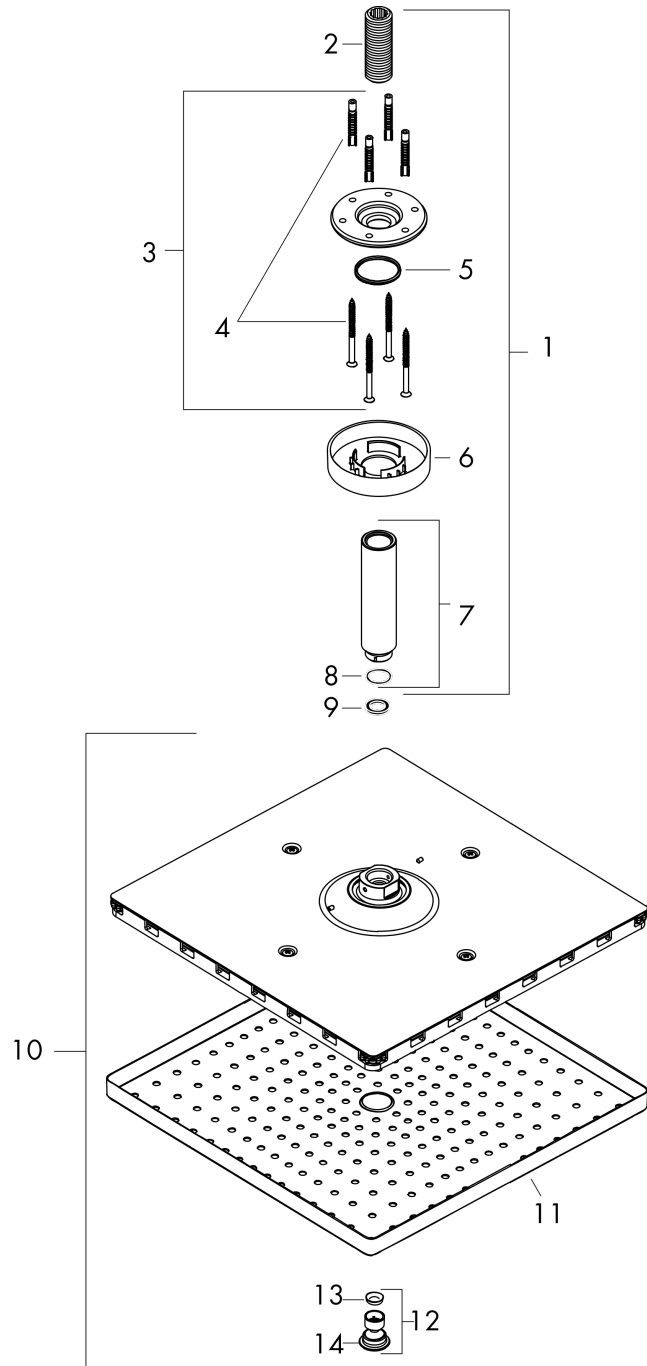
The consumption was measured in combination with the appropriate fittings (thermostat/mixer/in-wall valve) to reflect actual application in practice.

**Raindance E**  
**Overhead shower 300 1jet with ceiling connector**  
 Finish: **Chrome** Article Number: **26250000**



**Exploded Drawing**

Year of production: >06/17



**Raindance E**  
**Overhead shower 300 1jet with ceiling connector**  
 Finish: **Chrome** Article Number: **26250000**



## Spare part list

Year of production: >06/17

Pos.	Description	Article Number	PC	PU
1	shower arm	27393000	98	1
2	connecting thread	95188000	8	1
3	mounting kit	95208000	11	1
4	mounting set	40916000	2	1
5	O-ring 34x2	98383000	2	1
6	escutcheon Ø 80 mm	92122000	8	1
7	shower arm	27467000	98	1
8	O-ring 16x2	98133000	1	1
9	seal	98058000	1	1
10	head shower	93230000	21	1
11	spray body	94580000	16	1
12	air jet	93127000	8	1
13	filter	93128000	3	1
14	O-ring 15x2	98163000	1	1